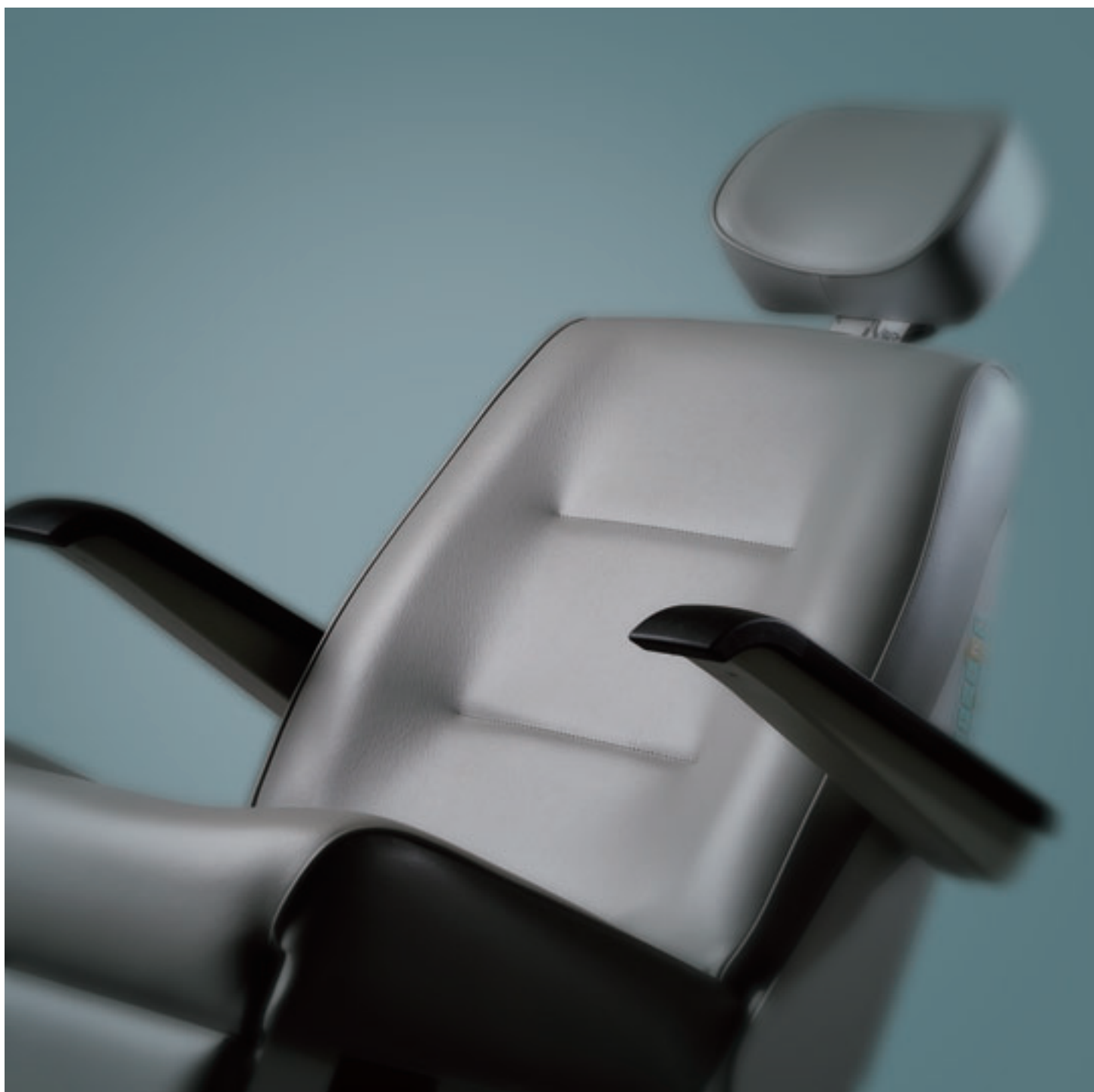




Full Reclining Chair UN-21

A i m i n g a t n e w l e v e l s i n q u a l i t y



Full Reclining Chair UN-21



In combination with an operating microscope, the chair can be served as a bed for examination and treatment.

(An optional OM Arm is required to install an operating microscope.)

The AUTO-RETURN switch automatically returns the chair to its original position.

A memory function allowing you to pre-select the reclining angle at any position you like is provided as standard (one memory).

The standard foot switch controls elevation, tilt back/forward and stop of the chair.

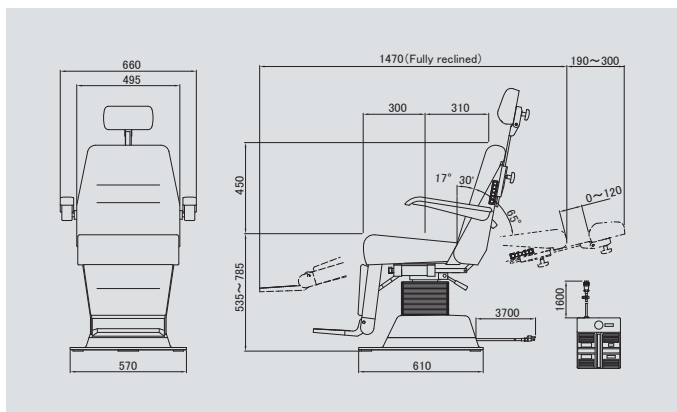
An optional arm-rest and I.V.pole can easily be installed.

The chair upholstery made of high-grade material holds a patient comfortable.

Specifications

Rotation	30° clockwise, 225° counterclockwise from step side
Elevation	By power hydraulic pump motor.
Elevation Stroke	250mm
Reclining	By power hydraulic pump motor.
Reclining Angle	65° from upright position.
Headrest Vertical Movement	120mm
Head rest Tilting	20° forward, 110° backward
Allowable Load	150kg
Power Supply	AC120V, 230V 50/60Hz
Power Consumption	800VA
Weight	121kg

Dimensions



Optional components



**Chair equipped with
Arm rest and I.V. pole.**

Arm rest : U20-20
I.V. pole. : U19-02



**Chair equipped with
Operating Microscope**

OM Arm : U21-02

● Design and specifications are subject to change as improvements are made to the product.

TAKAGI SEIKO CO.,LTD.

330-2 IWAFUNE, NAKANO-SHI, NAGANO-KEN, 383-8585, JAPAN
TEL.+81-269-22-4512 FAX.+81-269-26-6321
URL:<http://www.takagi-j.com> E-mail:info@takagi-j.com

