

# OST 100 - OST 150



## IDEAL FOR COMPREHENSIVE EXAM IN A **SMALL SPACE**



OST 100 - OST 150

REFRACTION UNIT

Optometry









Lift-up elbow rests and footrests (OST150)



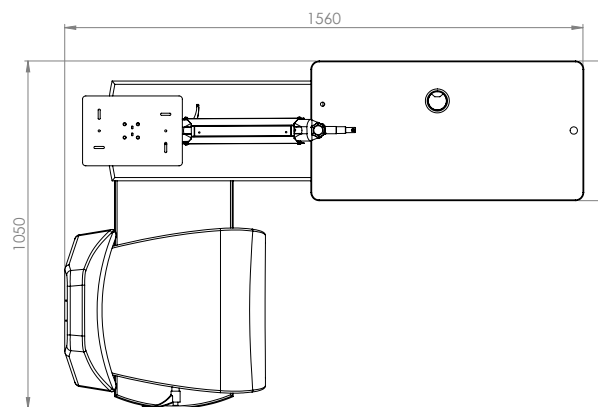
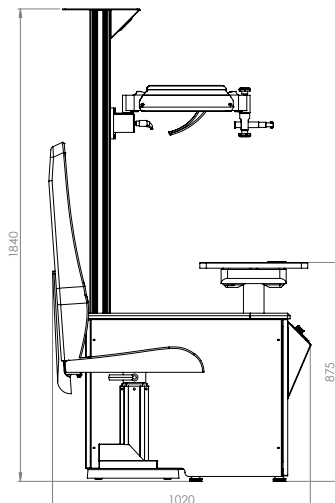
Standard projector holder



Optional projector holder

	OST 100	OST 150		
<b>ROTATING CHAIR</b>			<b>POWER SUPPLY</b>	110/230V-50/60Hz
Motorised (elevation path 18cm)			<b>DIMENSIONS AND WEIGHT</b>	1.25 (L) x 1.5 (P) x 1.8 (H) m
Lift-up elbow rests	-			195 kg
Footrests	-		<b>INTEGRATED FUNCTIONS</b>	Auxiliary electric socket Led lighting Control panel Chart Projector plate (Dim : 21 x 30cm)
<b>SLIDING TABLETOP</b>		2 Instruments 90° Rotation	<b>OPTION</b>	Chart Projector arm
Dimensions: 42 x 82 cm Max Weight: 50 kg				
<b>VERSION</b>		Right or left handed version		

Products are sold separately. As improvements are made, these specifications and pictures are not contractually binding and may be changed without prior notice.



Instruments Department  
64 bis, avenue Aubert  
94306 Vincennes Cedex France  
Tel: 33 (0)1 72 94 71 00  
Fax: 33 (0)1 72 94 70 27  
www.essilor-instruments.com

Your local distributor: